

## EMCO Orifice Plate with Single Pressure Tapping Series MEF/5 for Insertion between Compact Flanges

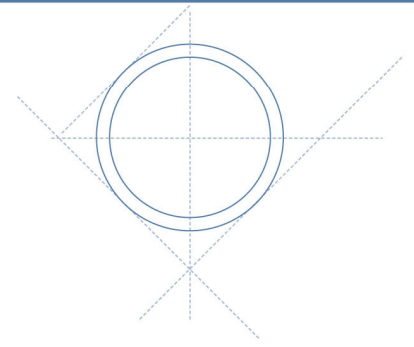
### Principle

EMCO orifice plate are used as primary elements in flow measurement according to the differential pressure principle. The tapping arrangement is corner tapping.

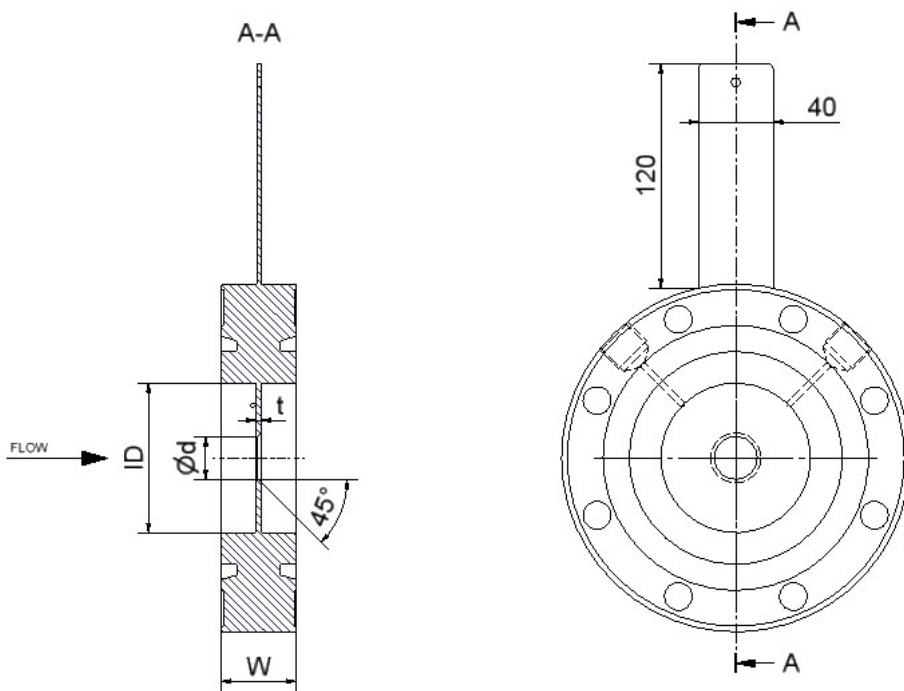
### Construction

Design and calculation standards	: ISO 5167-2 2003, ASME MFC-3M, Norsok L-005, Shell Flow Meter Engineering Handbook
Sizes	: DN 50 - 600, 2" - 24"
$\beta$ (d/D)	: $0,1 < \beta < 0,75$
Pressure rating	: 300 - 2500 lbs
Orifice plate	: Integrated with holder
Plate thickness	: 3 – 6 mm
Vent or drain hole	: On request
Material	: AISI 316, 22 Cr Duplex, 25 Cr Duplex, 6Mo, other materials on request.
Mounting style	: Between flanges with IX grooves according to Norsok L-005



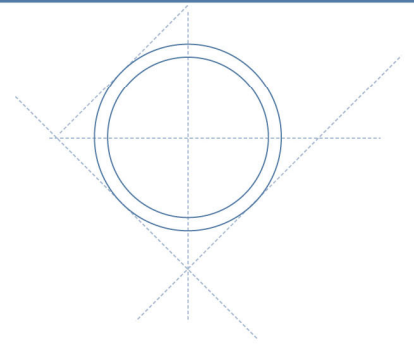


- Orifice plate : Square edge concentric, square edge eccentric, conical, 1/4 circle, segment.  
The plate is bevelled on the down stream side except for 1/4 circle orifice plate.
- Pressure taps : Threaded: 1/2" NPT int. (standard) or 1/2" BSP.  
Flanged: 1/2" and 3/4", 300, 600, 1500 and 2500 lbs IX or RTJ.
- Tap location : At least 15° apart,  
depending on size and pressure rating.
- Marking : The orifice plate is marked with "+" and "-" and flow direction.
- Handle : With name plate in AISI 316 with the following inscription :  
TAG no., serial no., pressure rating, inner pipe diameter,  
bore, material.



### Technical Data

- Accuracy : +/- 0,5 % for  $\beta < 0,6$  and equal to  $\beta$  for  $\beta$  values above 0,6
- Pressure loss : Depending on  $\beta$ , for  $\beta$  equal to 0,6 : ca. 60 %  
of the differential pressure measured
- Limits for Reynolds No :  $Re(D) > 5000$  for  $0,1 < \beta < 0,56$  and  $Re(D) > 16000 \times \beta^2$  for  $\beta > 0,56$  according to ISO 5167-2 2003  
 $2000 < Re < 10^8$  according to ASME MFC-3M



## Dimensions

Size		Pressure rating lbs				
		300	600	900	1500	2500
2"	Width (w)	40	40	40	40	40
	OD	Ø132	Ø136	Ø136	Ø136	Ø147
3"	Width (w)	40	40	40	40	40
	OD	Ø161	Ø161	Ø161	Ø180	Ø209
4"	Width (w)	40	40	40	40	40
	OD	Ø186	Ø203	Ø203	Ø224	Ø248
6"	Width (w)	50	50	50	50	50
	OD	Ø240	Ø258	Ø263	Ø307	Ø322
8"	Width (w)	50	50	50	50	50
	OD	Ø306	Ø312	Ø330	Ø365	Ø408
10"	Width (w)	50	50	50	50	50
	OD	Ø361	Ø382	Ø397	Ø453	Ø485
12"	Width (w)	60	60	60	60	60
	OD	Ø415	Ø450	Ø462	Ø508	Ø564
14"	Width (w)	60	60	60	60	60
	OD	Ø450	Ø482	Ø497	Ø558	Ø618
16"	Width (w)	60	60	60	60	60
	OD	Ø519	Ø547	Ø567	Ø626	Ø718
18"	Width (w)	70	70	70	70	70
	OD	Ø567	Ø614	Ø633	Ø704	Ø780
20"	Width (w)	70	70	70	70	70
	OD	Ø631	Ø664	Ø700	Ø778	Ø849
24"	Width (w)	70	70	70	70	70
	OD	Ø750	Ø785	Ø830	Ø933	Ø1039